

**RFQ30June/2023/QuestEx**

## **WATER BOTTLES AND EXHIBITION STAND**

### **SPECIFICATIONS**

#### **Water bottles**

Quantity: 100

Branding: 2 X 1 colour logo

Style: As below or similar



### **Design and Production of Exhibition Stand (2 Options)**

#### **OPTION 1**

- Concept, design, and development
- Graphic design and layout
- Supply of 10 stock images
- Production and delivery of:

# triga<sup>max</sup>

IMAGINE | CREATE | DISPLAY

the  
**ORIGINAL**  
**SHOWSTOPPER**  
of the TRIGA® textile  
tensioning range

- › Cost effective
- › Seamless, wrinkle-free
- › Modular and Versatile
- › Unique, integrated graphic rail and tensioner
- › User-friendly, quick assembly



# the TRIGA® MAX system **EXPLAINED**

Design and build ultra sturdy towers, counters, totems, walls or even complete exhibition stands, and more with the TRIGA® Max system. The basic parts all simply interlock (depending on the configuration) to assemble the structure on which seamless fabric graphics are tensioned using the unique TRIGA® tensioning device, resulting in a wrinkle-free finish.

## FIVE BASIC COMPONENTS

Endless possibilities

### UPRIGHTS

are divided sections (bottom uprights and top uprights) that can be connected.

Crossbars can be connected to the upright poles at 45° angles.

### CROSSBARS

connect the uprights and hold the tensioners.

### FEET

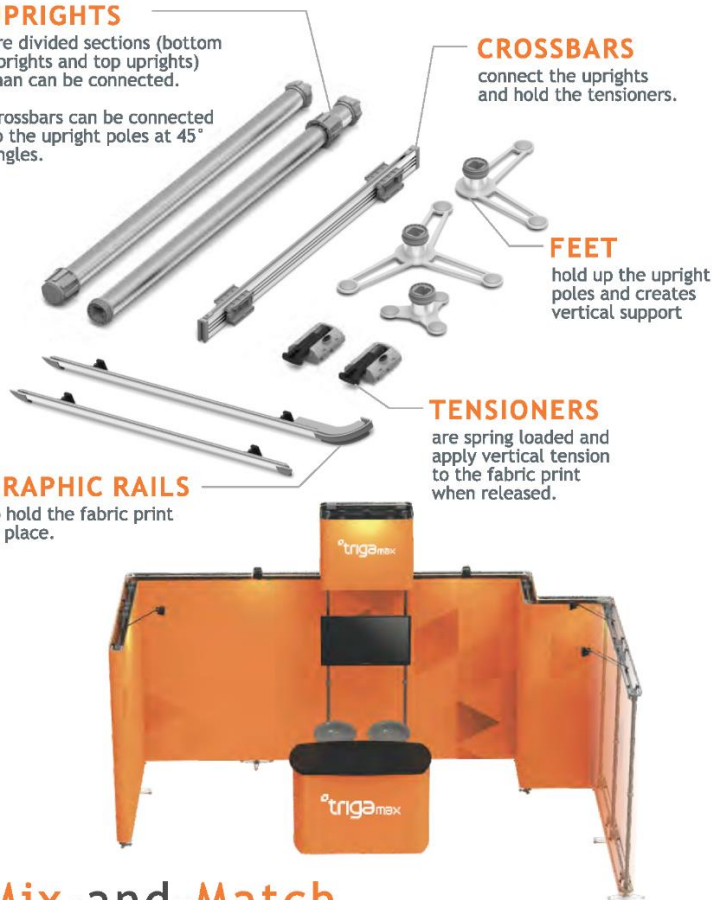
hold up the upright poles and creates vertical support

### TENSIONERS

are spring loaded and apply vertical tension to the fabric print when released.

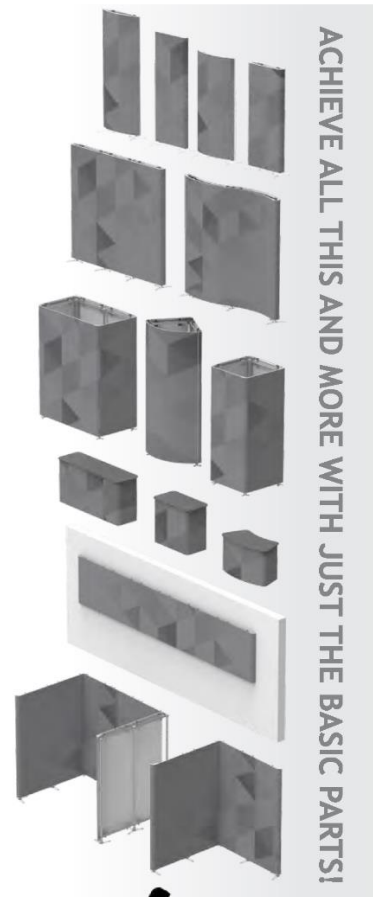
### GRAPHIC RAILS

to hold the fabric print in place.



get  
**CREATIVE**

ACHIEVE ALL THIS AND MORE WITH JUST THE BASIC PARTS!



## Mix-and-Match

the standard system components in different configurations to create ever changing displays without breaking your budget or investing in a new system. A range of accessories also available.

Suitable for single or double sided display graphics.



Rollerbag for easy transportation  
A 3m wall = ONLY 27kg

### THE BENEFITS OF CHOOSING A TRIGA® SYSTEM



**MODULAR & VERSATILE**  
Allows for near endless, creative possibilities.



**TIME-SAVING**  
Quick set-up. No installation team required.



**TOOL-LESS**  
No tools required for setup or breakdown.



**SUSTAINABLE**  
Reusable and all major components fully recyclable.



**SCALABLE**  
Keep your display current - Add components to grow.



**STURDY & DURABLE**  
Hard-wearing materials with a "wobble-free" design.



**LIGHTWEIGHT**  
Save on shipping costs. Low weight makes it highly portable.



**WRINKLE-FREE FINISH**  
Seamless, evenly tensioned fabric prints with no creases.

CONTACT US +27 (0) 87 802 5493 / sandro@gawk.co.za / gawk.co.za

## OPTION 2

- Concept, design, and development
- Graphic design and layout
- Supply of 10 stock images
- Production and delivery of:

**triga go**

IMAGINE | CREATE | DISPLAY

the  
**LATEST**  
ADDITION  
to the **TRIGA®** textile  
tensioning range

- › Cost effective
- › Ultra lightweight
- › Seamless, wrinkle-free
- › Modular and Versatile
- › Unique, integrated graphic rail and tensioner
- › User-friendly, quick assembly

# the TRIGA® GO system **IN A NUTSHELL**

TRIGA® Go allows for super quick assembly of banner walls, towers, counters or small and medium sized textile display stands. The unique, patented tensioner of TRIGA® Go results in wrinkle-free, tightly tensioned and seamless graphics with no compromise on the solid design you'd expect from a TRIGA® SYSTEM.

## 5 STEP ASSEMBLY

Light-weight, easy, wrinkle-free and sturdy



**STEP 1**  
Slot crossbar into tensioner  
Once print is inserted, press down firmly on tensioner to extend for wrinkle-free graphics.



**STEP 2**  
Join top and bottom uprights  
and turn connector collar to fasten.



**STEP 3**  
Join upright to foot plate  
and turn pole to secure.



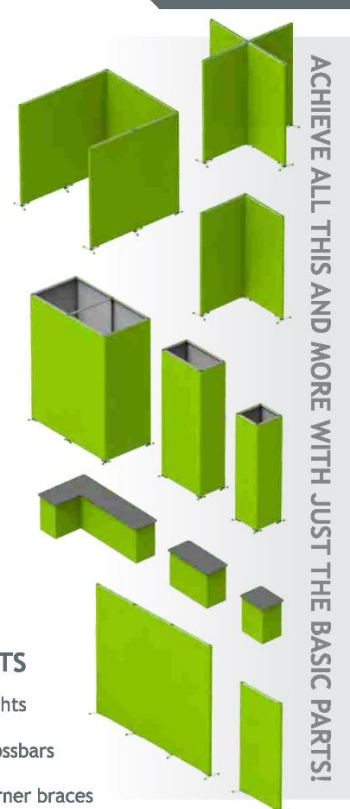
**STEP 4**  
Insert bottom crossbar  
connector into pole collar  
and turn to lock.



**STEP 5**  
Attach fabric print  
and tensioner.



get  
**CREATIVE**



ACHIEVE ALL THIS AND MORE WITH JUST THE BASIC PARTS!

### FOUR BASIC PARTS

- 1 Uprights
- 2 Crossbars
- 3 Corner braces
- 4 Foot plates



## Mix-and-Match

the standard system components in different configurations to create ever changing displays without breaking your budget or investing in a new system. A range of accessories also available.

Suitable for single or double sided display graphics.

Corner braces for ultra sturdy displays with no wobbling



Carry bag for easy transportation  
A 3m wall = ONLY 15kg



### THE BENEFITS OF CHOOSING A TRIGA® SYSTEM



**MODULAR & VERSATILE**  
Allows for near endless, creative possibilities.



**TIME-SAVING**  
Quick set-up. No installation team required.



**TOOL-LESS**  
No tools required for setup or breakdown.



**SUSTAINABLE**  
Reusable and all major components fully recyclable.



**SCALABLE**  
Keep your display current - Add components to grow.



**STURDY & DURABLE**  
Hard-wearing materials with a "wobble-free" design.



**LIGHTWEIGHT**  
Save on shipping costs. Low weight makes it highly portable.



**WRINKLE-FREE FINISH**  
Seamless, evenly tensioned fabric prints with no creases.

CONTACT US +27 (0) 87 802 5493 / [sandro@gawk.co.za](mailto:sandro@gawk.co.za) / [gawk.co.za](http://gawk.co.za)

Deadline for quote: 6 July 2023

Delivery: TBD

All technical queries may be directed to [communications@assaf.org.za](mailto:communications@assaf.org.za)

Submissions to be directed to [scm@assaf.org.za](mailto:scm@assaf.org.za)

## **EVALUATION CRITERIA**

The evaluation criteria will be based on compliance, specifications and where applicable 80/20 PPPFA price point's evaluation

## **SUPPORTING DOCUMENTATION**

- Original/Certified B-BBEE status level verification certificate/Sworn affidavit must be submitted in order to qualify for preference points for B-BBEE)
- Must be tax compliant.
- Quotations must reflect a cost breakdown where applicable. Prices quoted must be inclusive of VAT. In case of a Non-Vat Vendor please indicate so.
- ASSAF has the right to withdraw any quotation at any time within the validity of the quotation. ASSAF will not award the contract to any bidder who does not comply with the terms and conditions of the bidding document and will at its own discretion appoint next qualifying supplier.



25A De Havilland Crescent, Perseus Park PO Box 72135, Lynnwood  
Ridge 0040, Pretoria, South Africa  
Tel: +27 12 349 6600, Fax: +27 12 349 5461, Email: [info@assaf.org.za](mailto:info@assaf.org.za)

[www.assaf.org.za](http://www.assaf.org.za)